

PIN/NO	ASSIGNMENT
C1	VCC
C2	RST
C3	CLK
C5	GND
C6	VPP
C7	I/O
CD	Detect Switch

RECOMMENDED PCB LAYOUT

TOLERANCE: ±0.05

- SMT SOLDER AREA
- COPPER RESTRICTED AREA
- 1. TOUCH AREA OF CONTACT
- TIPS NO ELECTRICAL FUNCTION
- 2. NO FIRST PCB_LAYOUT CIRCUITS IN THE AREA

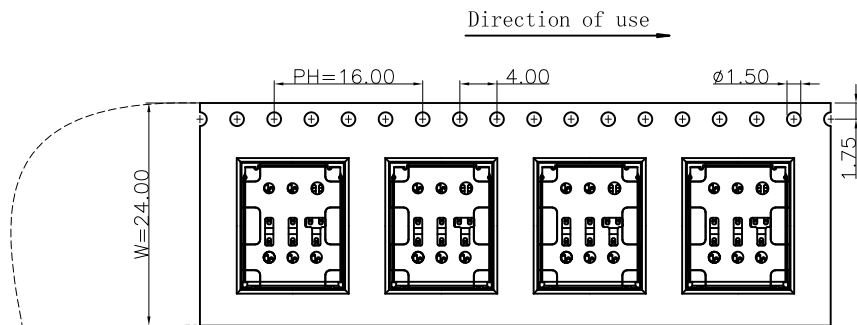
Notes:

1. Material:
 - Housing: High Temperature Thermoplastic
 - Terminal: Copper Alloy
 - Shell: Stainless Steel
2. Plating:
 - Terminal: 50u" Ni Underplated Overall
 - G/F Plated On Contact Area
 - G/F Plated On Solder Area
 - Shell: 50u" Ni Underplated Overall
 - G/F Plated On Contact Area And Solder Area
3. Technical Speciality:
 - Rated Voltage: 30V
 - Current Rating: 0.5A
 - Insulation Resistance: 1000MΩ Min.
 - Contact Resistance: 100mΩ Max.
 - Withstanding Voltage: 500V DC For 1 Minutes.
 - Operating Temperature: -40°C ~ +75°C Humidity 80% R.H Max.



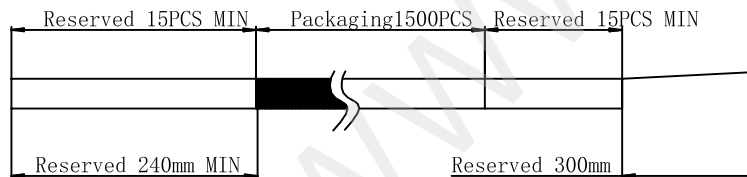
深圳市华宇创精密电子有限公司

TOLERANCE: X.X ±0.30 X.XX ±0.25 X.XXX ±0.15 X' ±2' X.X' ±0.5'	DRAWN BY : 陈一鸣	DATE : 2014-02-23	PART NAME: NANO SIM 内焊1.42H 卡托式
	CHECKED BY: 马跃	DATE : 2014-02-23	PART NO. HVC390-SIM07-142
 UNIT: mm [inch] SCALE: 1:1 SIZE: A4	APPROVED BY: 邱敏	DATE : 2014-02-23	DRAW NO: HVC-2606151507
			SHEET NO. 1 OF 1

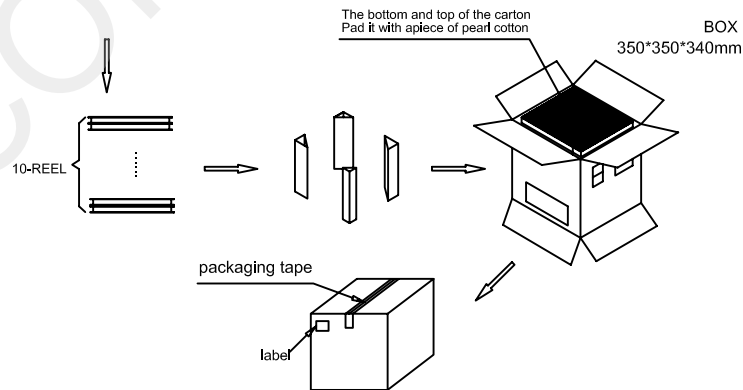
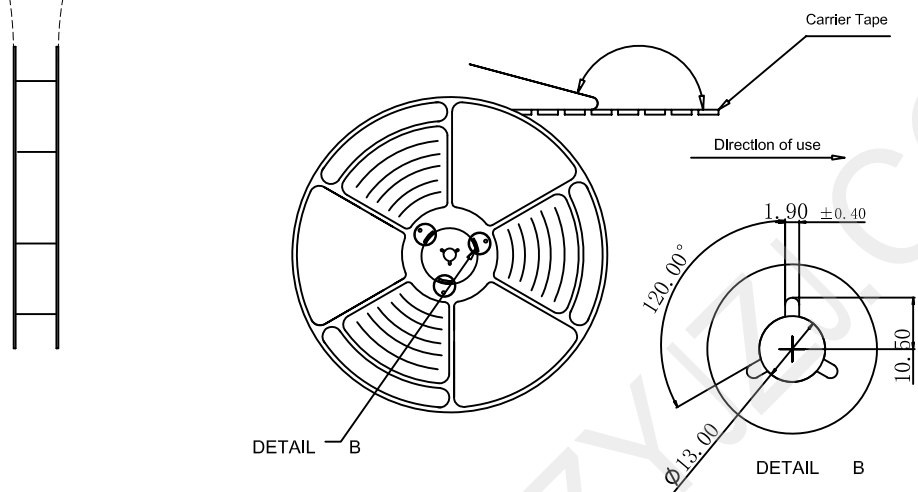


NOTES:


- 1、Packing quantity per plate: 1500PCS/Plate
- 2、Loading and packing method



- 3、Total packaging:15000PCS/Box



Description	Quantity
Carrier band (Lucent, PET W=24 PH=16,T=0.3)	244.8m
Box (K=K,T=7.0,350*350*340)	1PCS
PE Bag (T=0.08mm, 730*760*730)	1PCS
Self-adhesive (W=21.30)	247.8m
Beam (K=K, T=7.0,95*95*290)	4PCS
Pearl Wool (340*340*18)	2PCS
REEL (BLUE, 13Inches*24mm, ø330)	10PCS
1.42H No-Push Nano-Sim Card	15000PCS

 深圳市华宇创精密电子有限公司			
TOLERANCE: X.X ±0.30 X.XX ±0.25 X.XXX ±0.15 X' ±2' X.X' ±0.5'	DRAWN BY : 陈一鸣	DATE : 2014-02-23	PART NAME: 包装图
	CHECKED BY: 马跃	DATE : 2014-02-23	PART NO. _____ MOLD NO. _____
UNIT: mm [inch] SCALE:1:1 SIZE: A4	APPROVED BY: 邱敏	DATE : 2014-02-23	DRAW NO: _____ SHEET NO. 1 OF 1